

Handwheels with retractable handle

Aluminium, Handle swivelling

SPECIFICATION

Type

- Type **R**: with retractable handle

Bore codes

- Version **B**: without keyway
- Version **K**: with keyway

Aluminium pressure die casting

- Hub machined
- Rim turned
- plastic coated

black, RAL 9005, textured finish **SW**
silver, RAL 9006, textured finish **SR**

Rim concentric and square to bore < 0.4

Safety retractable handles GN 798.7 (see page 587)

Plastic, Technopolymer
black, matt

Retracting mechanism
Steel, blackened

INFORMATION

Retractable handwheels GN 924.7 are distinguished by modern design.

These spoked handwheels are suitable for applications where the handle must not remain in the operating position.

In order to bring the handle into this position it has to be turned first through 90° to a stop against a torsion spring and then it is pushed against spring pressure into its hold position. By maintaining the forward thrust on the handle the handwheel can easily be rotated.

When releasing the handle the springs returns it back to the retracted position.

* Complete with colour index of the Handwheels (SW or SR)

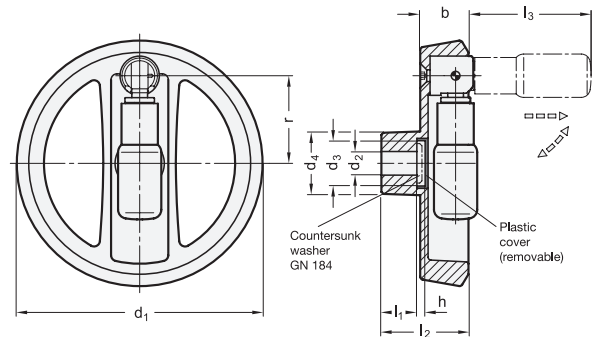
SW **SR**
RAL9005 RAL9006

GN 924.7

Description	d1	d2 H7	d3	d4	b	h	l1	l2 ≈	l3 ≈	r ≈	Ø Handle	Recommended countersunk washer	⚖
GN 924.7-125-B12-R-*	125	12	23	31	24.5	4	18	45	62	45.5	22	GN 184-22	460
GN 924.7-125-K12-R-*	125	12	23	31	24.5	4	18	45	62	45.5	22	GN 184-22	460
GN 924.7-125-B14-R-*	125	14	23	31	24.5	4	18	45	62	45.5	22	GN 184-22	450
GN 924.7-125-K14-R-*	125	14	23	31	24.5	4	18	45	62	45.5	22	GN 184-22	450
GN 924.7-140-B14-R-*	140	14	23	36	26	4	19	47	77.5	52	24	GN 184-22	580
GN 924.7-140-K14-R-*	140	14	23	36	26	4	19	47	77.5	52	24	GN 184-22	580
GN 924.7-160-B14-R-*	160	14	23	36	26	4	20	48	77.5	61	24	GN 184-22	700
GN 924.7-160-K14-R-*	160	14	23	36	26	4	20	48	77.5	61	24	GN 184-22	700
GN 924.7-140-B16-R-*	140	16	23	36	26	4	19	47	77.5	52	24	GN 184-22	590
GN 924.7-140-K16-R-*	140	16	23	36	26	4	19	47	77.5	52	24	GN 184-22	590
GN 924.7-160-B16-R-*	160	16	23	36	26	4	20	48	77.5	61	24	GN 184-22	710
GN 924.7-160-K16-R-*	160	16	23	36	26	4	20	48	77.5	61	24	GN 184-22	700
GN 924.7-200-B18-R-*	200	18	23	42	27	4	24	53	87.5	80.5	25	GN 184-22	1050
GN 924.7-200-K18-R-*	200	18	23	42	27	4	24	53	87.5	80.5	25	GN 184-22	1050
GN 924.7-200-B20-R-*	200	20	23	42	27	4	24	53	87.5	80.5	25	GN 184-22	1035
GN 924.7-200-K20-R-*	200	20	23	42	27	4	24	53	87.5	80.5	25	GN 184-22	1035



reddot design award



1
Operating elements